

DATE
Nov. 7, 2018
Cat. #: JPP0504

OUTLINE DIMENSIONS

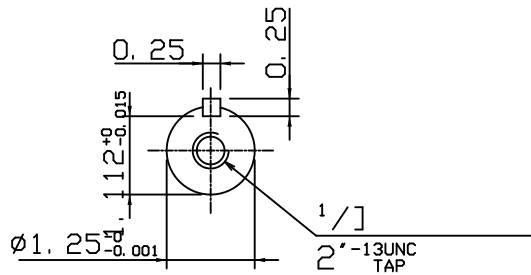
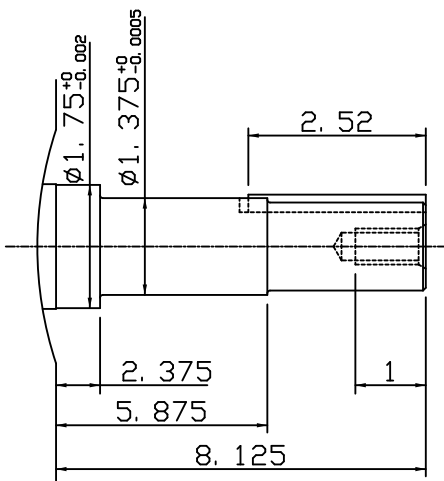
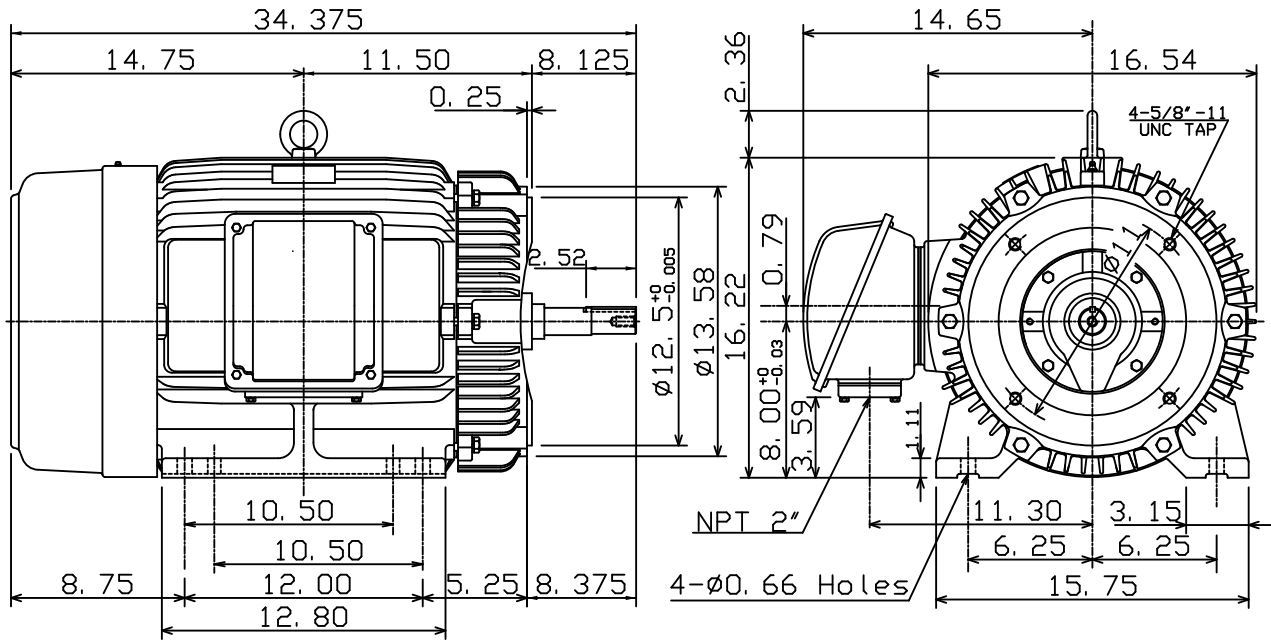
3-PHASE INDUCTION MOTOR

MOTOR TYPE:
AEHH8NJP
FRAME NO. 326JP

| Pole | HP | kW | Hz | VOLT | Syn. Speed r/min(rpm) |
|------|----|------|----|---------|--------------------------|
| 4 | 50 | 37.3 | 60 | 230/460 | 1800 |

| Ins | Rating | Dimension in | Approx Weight | Bearings | |
|-----|--------|--------------|---------------|----------|-----------|
| F | CONT. | inches | 660 lbs. | DE: 6312 | NDE: 6212 |

Totally Enclosed Fan-Cooled Type, Squirrel-Cage Rotor.



| | | |
|-------|------------|----------|
| DWN. | K. L. KUO | 02-13-08 |
| CHKD. | K. L. KUO | 02-14-08 |
| APPD. | M. C. TSAI | 02-14-08 |



DWG NO.
31057H209510